



















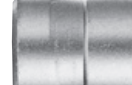



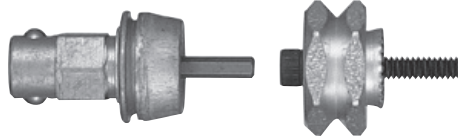

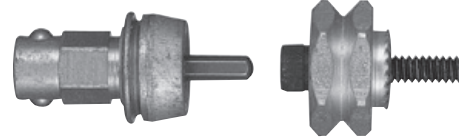

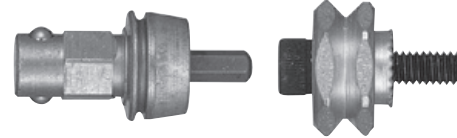











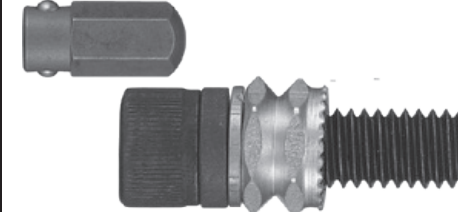

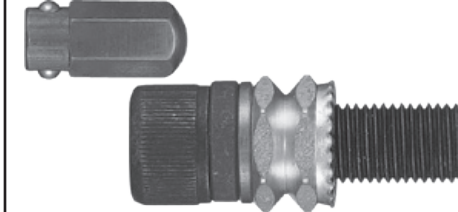


LP138 / LP138BL

Threaded Inserts

866.529.7664 lawsonproducts.com

 81083  4-40 3/16 Drill Size (84729)	 81084  6-32 7/32 Drill Size (84731)	 81085  8-32 1/4 Drill Size (84733)	 81086  10-24 9/32 Drill Size (84735)	 81087  10-32 9/32 Drill Size (84735)	 84220   Threaded Insert Installation Tool
 81088  1/4-20 3/8 Drill Size (84741)	 81089  5/16-18 1/2 Drill Size (84749)	 81090  5/16-24 1/2 Drill Size (84749)	 81207  3/8-16 9/16 Drill Size (9740)	 81208  3/8-24 9/16 Drill Size (9740)	
 84221  4-40 Conversion Kit	 84222  6-32 Conversion Kit	 84223  8-32 Conversion Kit	 84224  10-24 Conversion Kit	 84225  10-32 Conversion Kit	
 84226  1/4-20 Conversion Kit	 84228  5/16-18 Conversion Kit	 84229  5/16-24 Conversion Kit	 85886  3/8-16 Conversion Kit	 85887  3/8-24 Conversion Kit	

A9 / A9BL

PHOTOS ACTUAL SIZE

Serviced only by  **LAWSON**

NOTE: Bottom of backplate represents front of LP drawer.
 © 2018 Lawson Products, Inc. Printed in USA (10/18)